

SCENIC INVENTORY:

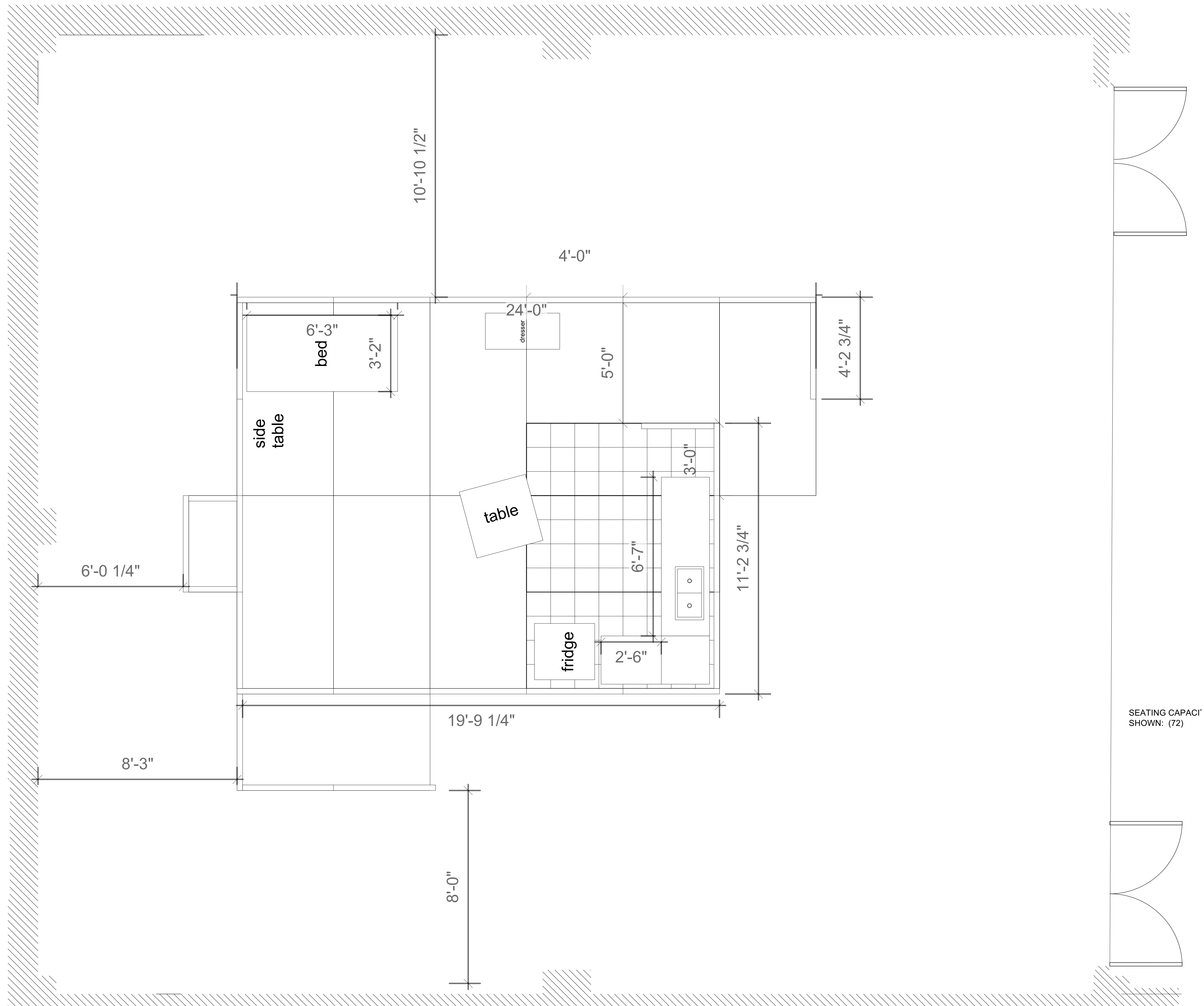
- Old Flats:
 (1) 3' x 10'
 (5) 4' x 10'
 (8) 4' x 12'
 (6) 4' x 8'

- New Flats:
 (1) 4' x 10'
 (1) 4' x 12'
 (1) 4' x 12'
 (1) 3' x 10'
 (2) 2' x 7'

MASONITE/THEATRE FLOOR

13 SHEETS TOTAL

- (10) 4' x 8'
 (1) 3' x 8'
 (2) 4' x 5'
 (1) 4' x 2'



SEATING CAPACITY
 SHOWN: (72)

THIS DRAWING REPRESENTS VISUAL
 CONCEPTS AND CONSTRUCTION
 SUGGESTIONS ONLY. THE
 DESIGNER IS UNQUALIFIED TO
 DETERMINE THE STRUCTURAL
 APPROPRIATENESS OF THE DESIGN
 & WILL NOT ASSUME
 RESPONSIBILITY FOR IMPROPER
 ENGINEERING, CONSTRUCTION OR
 USE. ALL MATERIALS AND
 CONSTRUCTION MUST MEET THE
 MOST STRINGENT LOCAL SAFETY
 FIRE CODES.

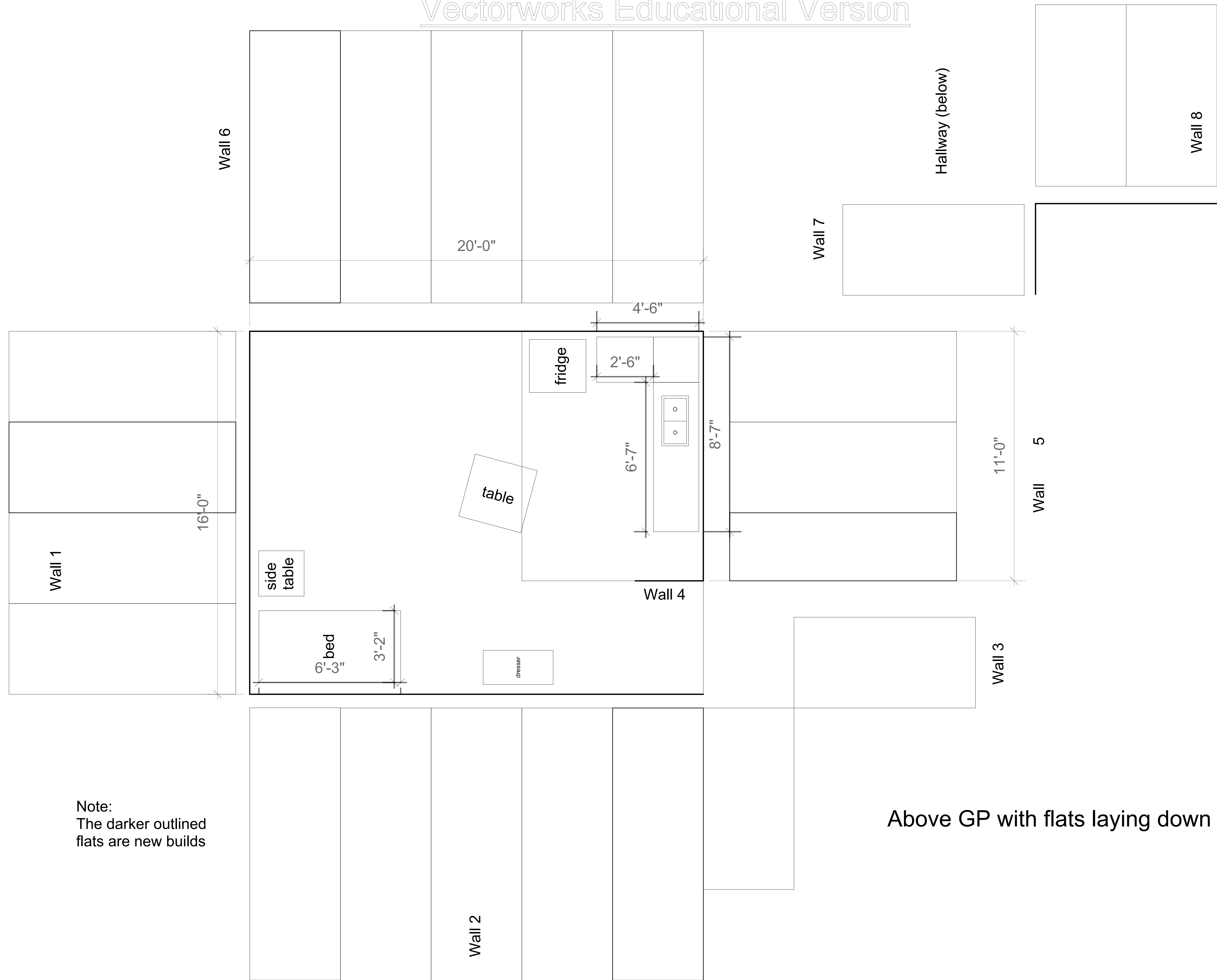
The Wool Gatherer
 by William Mastrosimone

Drawing:
 GROUNDPLAN

Notes and Revisions:

Location:
 Mallette Theatre
 Univ. of Southern Indiana
 Directed by:
 Zoie Hunter
 Scenic Design By:
 Jacelyn Stewart
 Lighting Design By:
 Blake Whitehouse
 Technical Director:
 Allen Karch
 Drawn By: JAS
 Date: 1/24/20
 Scale: 1/2" = 1'-0"

Plate:
1
 of 15
 REVISION DATE:
 1/24/21



Note:
The darker outlined flats are new builds

Above GP with flats laying down

THIS DRAWING REPRESENTS VISUAL CONCEPTS AND CONSTRUCTION SUGGESTIONS ONLY. THE DESIGNER IS UNQUALIFIED TO DETERMINE THE STRUCTURAL APPROPRIATENESS OF THE DESIGN & WILL NOT ASSUME RESPONSIBILITY FOR IMPROPER ENGINEERING, CONSTRUCTION OR USE. ALL MATERIALS AND CONSTRUCTION MUST MEET THE MOST STRINGENT LOCAL SAFETY FIRE CODES.

The Wool Gatherer
by William Mastro Simone

Drawing:
GROUNDPLAN
with flats

Notes and Revisions:

Location:
Mallette Theatre
Univ. of Southern Indiana

Directed by:
Zoie Hunter

Scenic Design By:
Jacelyn Stewart

Lighting Design By:
Blake Whitehouse

Technical Director:
Allen Karch

Drawn By: JAS

Date: 1/24/20

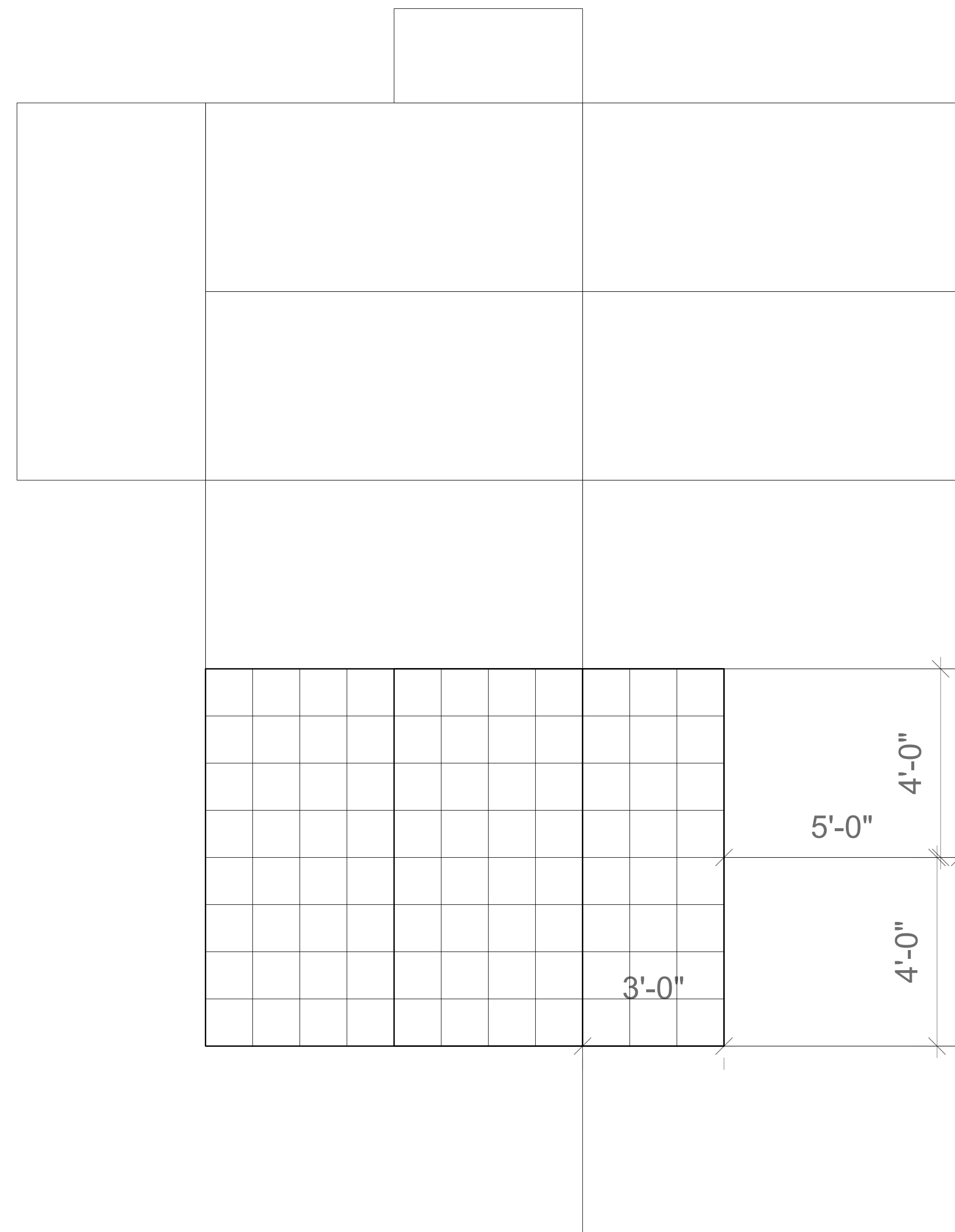
Scale: 1/2" = 1'-0"

Plate:

2

of 15

REVISION DATE:
1/24/21



13 SHEETS TOTAL

- (10) 4' x 8'
- (1) 3' x 8'
- (2) 4' x 5'
- (1) 4' x 2'

FLOOR PLAN FOR MASONITE

THIS DRAWING REPRESENTS VISUAL CONCEPTS AND CONSTRUCTION SUGGESTIONS ONLY. THE DESIGNER IS UNQUALIFIED TO DETERMINE THE STRUCTURAL APPROPRIATENESS OF THE DESIGN & WILL NOT ASSUME RESPONSIBILITY FOR ANY OTHER ENGINEERING, CONSTRUCTION OR USE. ALL MATERIALS AND CONSTRUCTION MUST MEET THE MOST STRINGENT LOCAL SAFETY FIRE CODES.

The Wool Gatherer
by William Mastrosimone

Drawing: MASONITE GROUNDPLAN

Notes and Revisions:

Location: Mallette Theatre Univ. of Southern Indiana

Directed by: Zoie Hunter

Scenic Design By: Jacelyn Stewart

Lighting Design By: Blake Whitehouse

Technical Director: Allen Karch

Drawn By: JAS

Date: 1/24/20

Scale: 1/2" = 1'-0"

Plate:

3

of 15

REVISION DATE: 1/24/21

Up Stage Front View

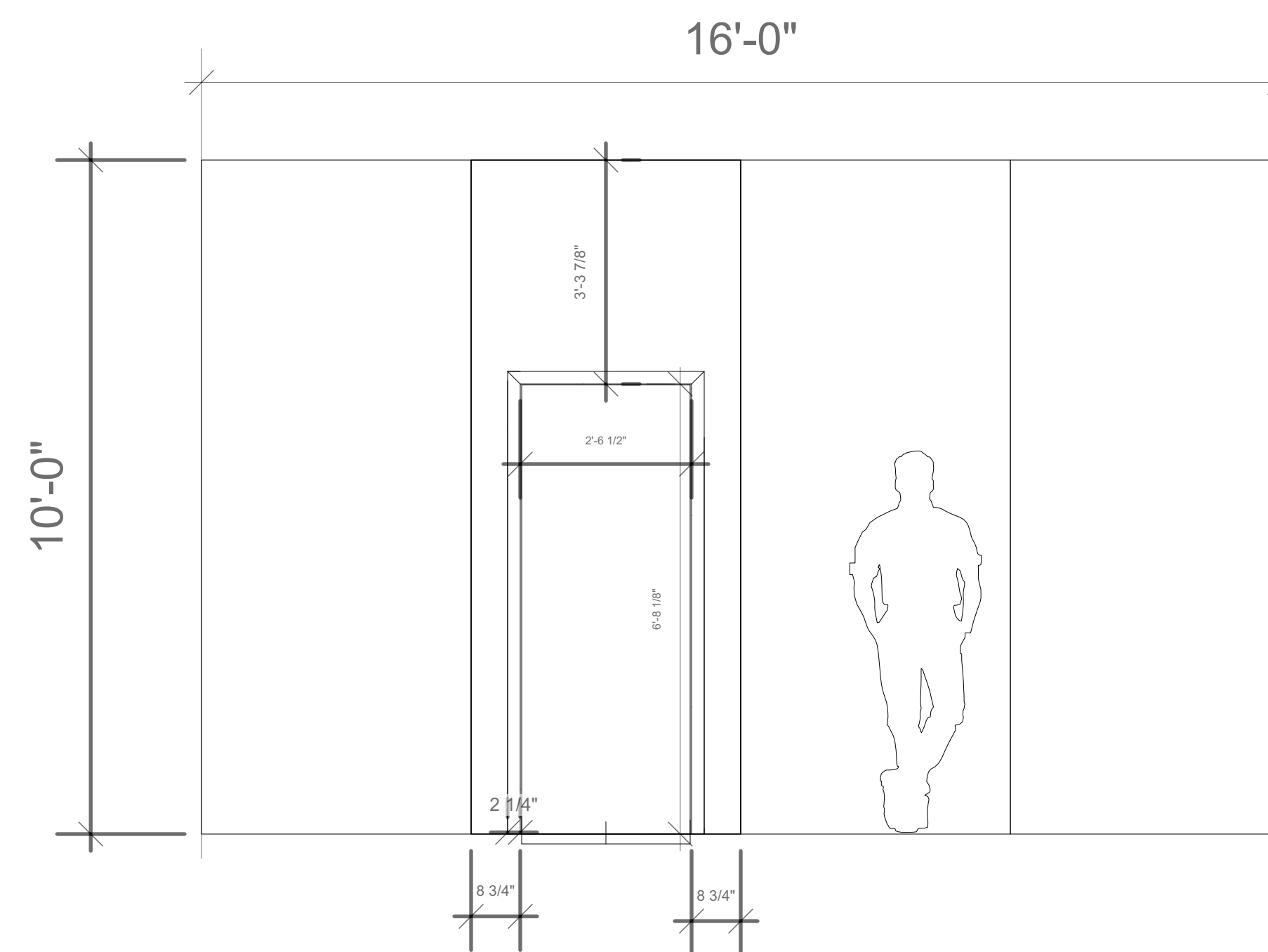
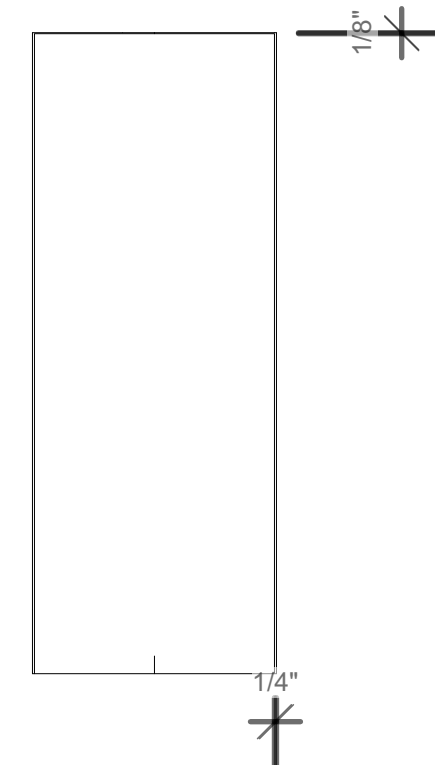
Wall 1

The closet door has dimensions of 30" x 80"

However, the installation instructions suggest leaving 1/4" of room on the sides.

And leaving 1/8" of room on the top
So I included those measurements in the drafting

It also will have 2 1/4" casing around edges



Upstage View
SET WALL 1

THIS DRAWING REPRESENTS VISUAL CONCEPTS AND CONSTRUCTION SUGGESTIONS ONLY. THE DESIGNER IS UNQUALIFIED TO DETERMINE THE STRUCTURAL APPROPRIATENESS OF THE DESIGN & WILL NOT ASSUME RESPONSIBILITY FOR IMPROPER ENGINEERING, CONSTRUCTION OR USE. ALL MATERIALS AND CONSTRUCTION MUST MEET THE MOST STRINGENT LOCAL SAFETY FIRE CODES.

The Wool Gatherer
by William Mastrosimone

Drawing:
UPSTAGE WALL 1
ELEVATION

Notes and Revisions:

Location:
Mallette Theatre
Univ. of Southern Indiana

Directed by:
Zoie Hunter

Scenic Design By:
Jacelyn Stewart

Lighting Design By:
Blake Whitehouse

Technical Director:
Allen Karch

Drawn By: JAS

Date: 1/24/20

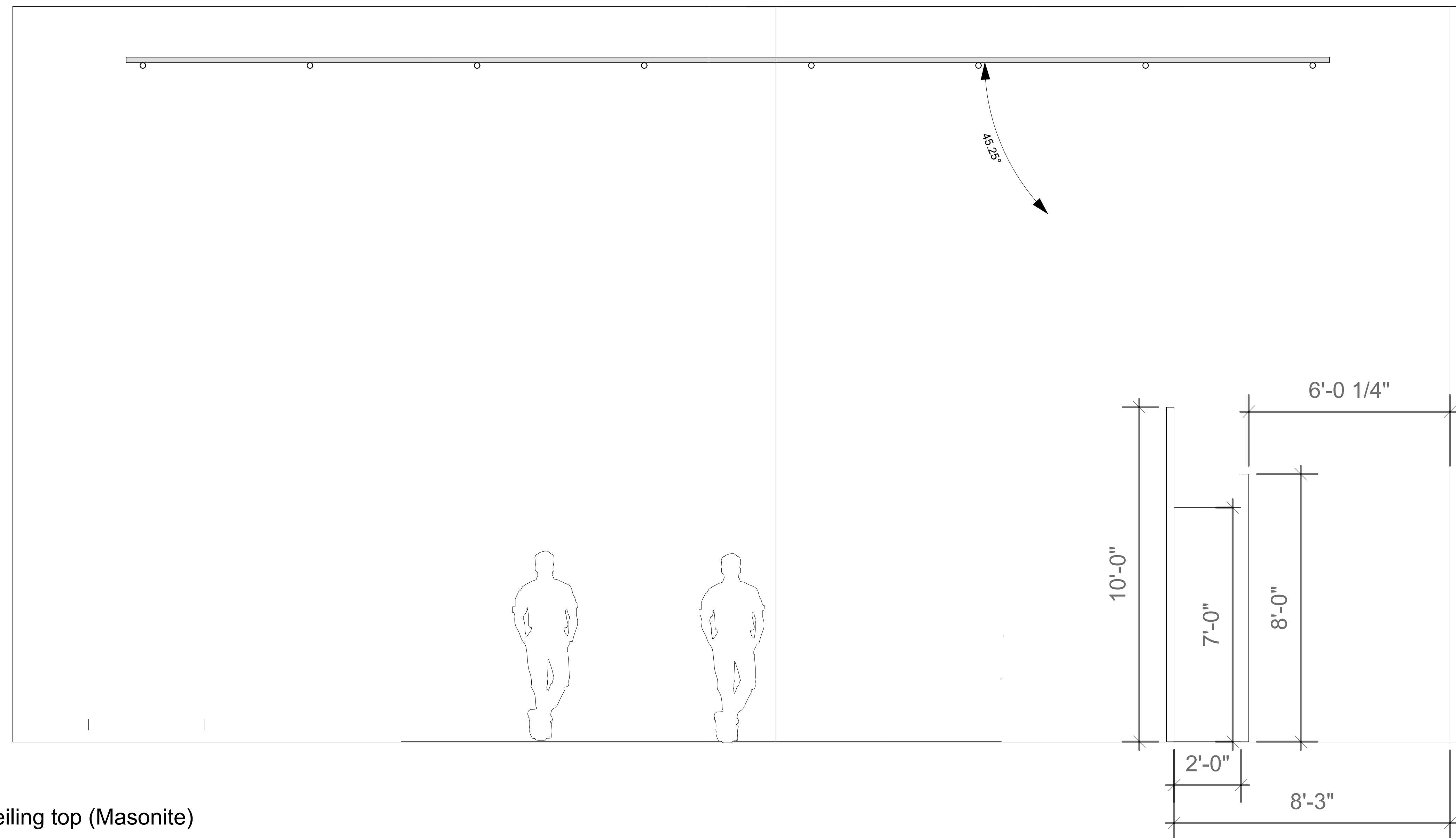
Scale: 1/2" = 1'-0"

Plate:

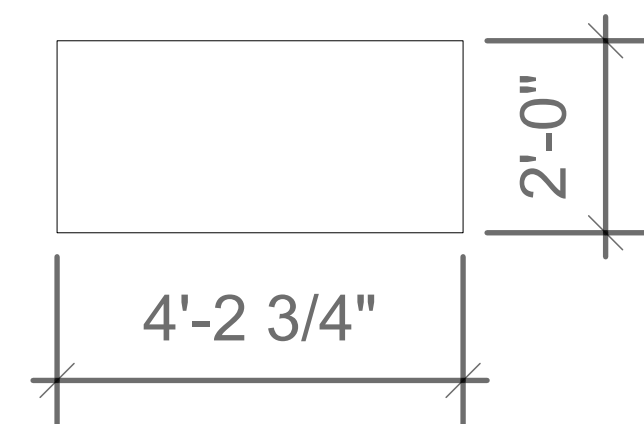
4

of 15

REVISION DATE:
1/24/21



Closet ceiling top (Masonite)



Wall 1
Stage Right View Split from Center

THIS DRAWING REPRESENTS VISUAL CONCEPTS AND CONSTRUCTION SUGGESTIONS ONLY. THE DESIGNER IS UNQUALIFIED TO DETERMINE THE STRUCTURAL APPROPRIATENESS OF THE DESIGN & WILL NOT ASSUME RESPONSIBILITY FOR IMPROPER ENGINEERING, CONSTRUCTION OR USE. ALL MATERIALS AND CONSTRUCTION MUST MEET THE MOST STRINGENT LOCAL SAFETY FIRE CODES.

The Wool Gatherer
by William Mastrosimone

Drawing:
SR VIEW UPSTAGE
WALL 1

Notes and Revisions:

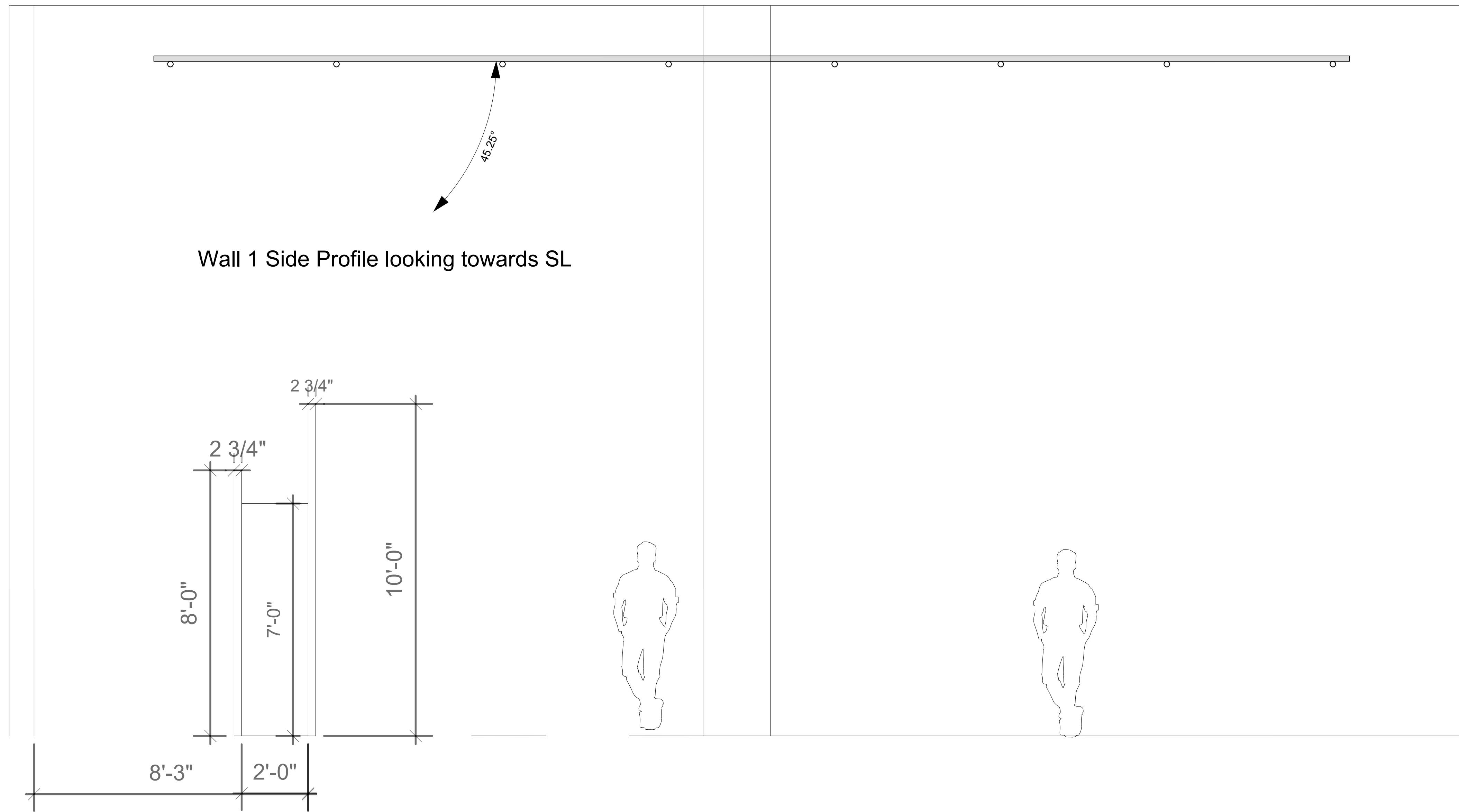
Location:
Mallette Theatre
Univ. of Southern Indiana
Directed by:
Zoie Hunter
Scenic Design By:
Jacelyn Stewart
Lighting Design By:
Blake Whitehouse
Technical Director:
Allen Karch
Drawn By: JAS
Date: 1/24/20
Scale: 1/2" = 1'-0"

Plate:

5

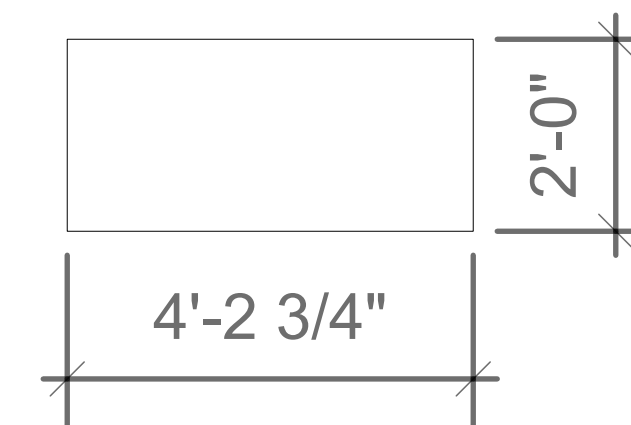
of 15

REVISION DATE:
1/24/21



Wall 1 Stage Left View Split from Center

Closet ceiling top (Masonite)



THIS DRAWING REPRESENTS VISUAL CONCEPTS AND CONSTRUCTION SUGGESTIONS ONLY. THE DESIGNER IS UNQUALIFIED TO DETERMINE THE STRUCTURAL APPROPRIATENESS OF THE DESIGN & WILL NOT ASSUME RESPONSIBILITY FOR ANY ENGINEERING, CONSTRUCTION OR USE. ALL MATERIALS AND CONSTRUCTION MUST MEET THE MOST STRINGENT LOCAL SAFETY FIRE CODES.

The Wool Gatherer
by William Mastrosimone

Drawing:
SL VIEW UPSTAGE
WALL 1

Notes and Revisions:

Location:
Mallette Theatre
Univ. of Southern Indiana
Directed by:
Zoie Hunter
Scenic Design By:
Jacelyn Stewart
Lighting Design By:
Blake Whitehouse
Technical Director:
Allen Karch
Drawn By: JAS
Date: 1/24/20
Scale: 1/2" = 1'-0"

Plate:

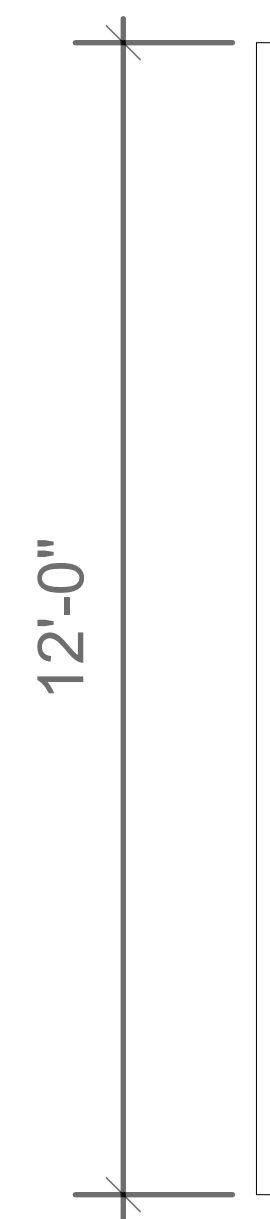
6

of 15

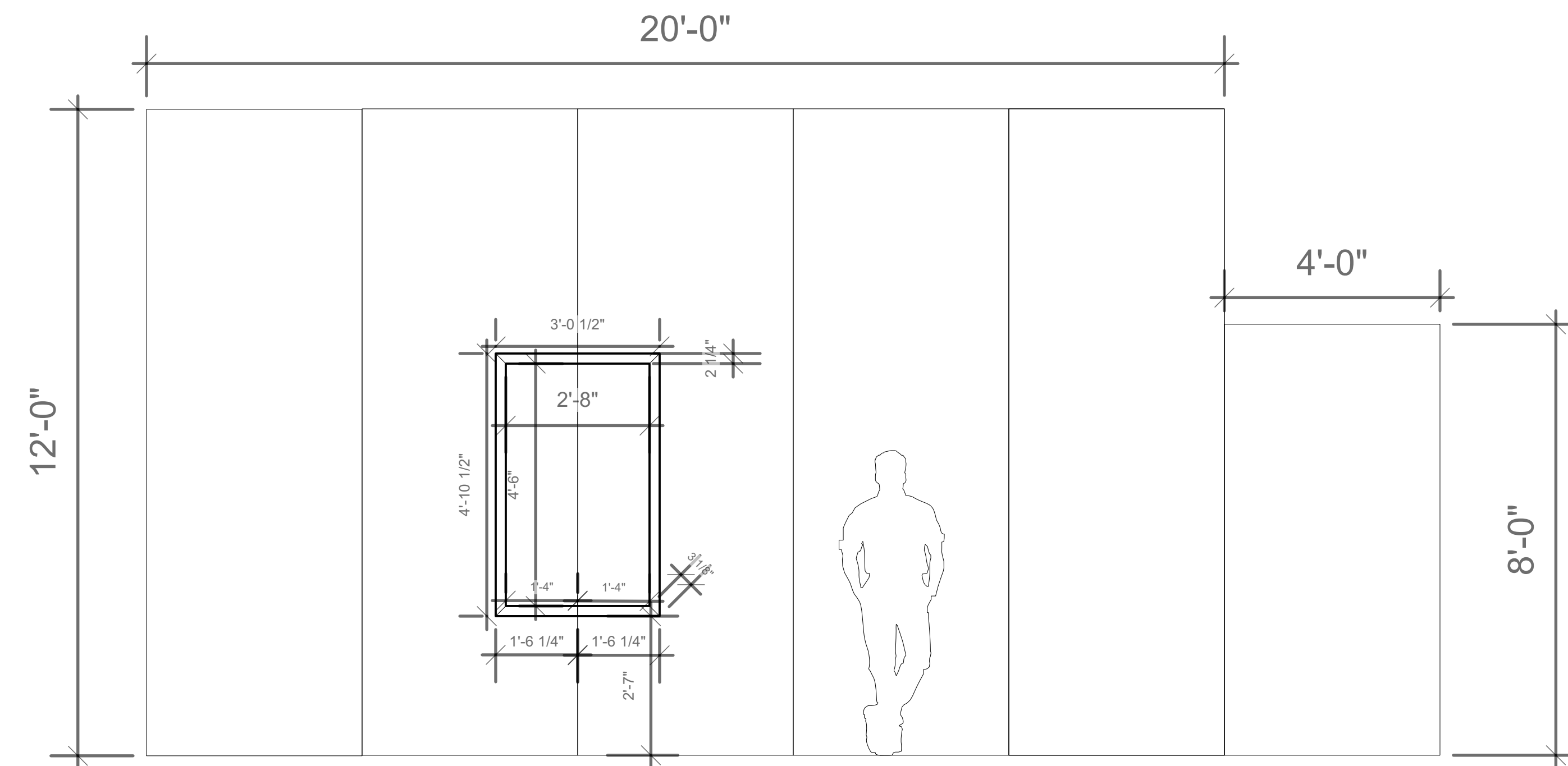
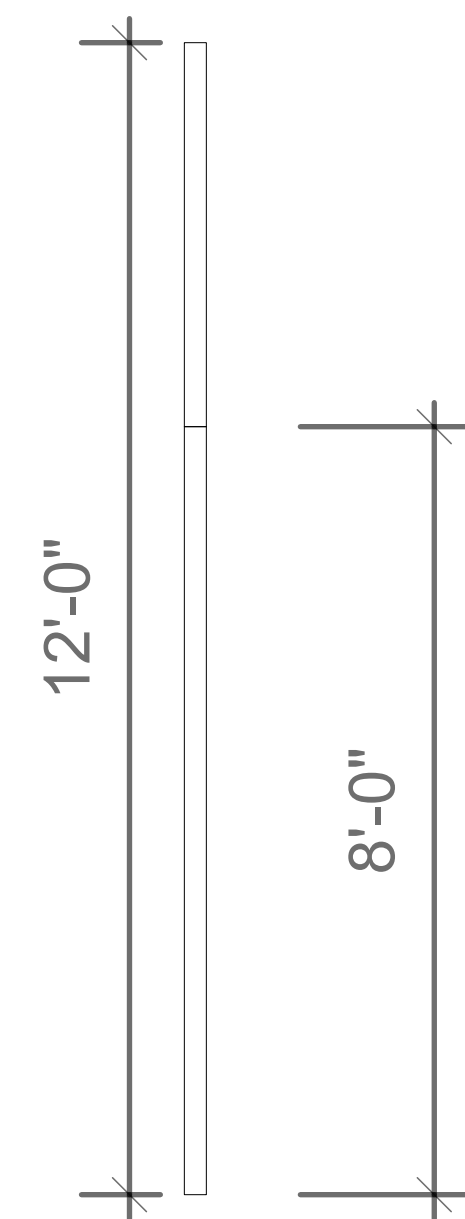
REVISION DATE:
1/24/21

SL Wall 2 Front View

SR Side profile looking downstage



SL profile looking upstage



Wall 2
SET WALL

THIS DRAWING REPRESENTS VISUAL CONCEPTS AND CONSTRUCTION SUGGESTIONS ONLY. THE DESIGNER IS UNQUALIFIED TO DETERMINE THE STRUCTURAL APPROPRIATENESS OF THE DESIGN & WILL NOT ASSUME RESPONSIBILITY FOR IMPROPER ENGINEERING, CONSTRUCTION OR USE. ALL MATERIALS AND CONSTRUCTION MUST MEET THE MOST STRINGENT LOCAL SAFETY FIRE CODES.

The Wool Gatherer
by William Mastrosimone

Drawing:
SL WALL 2
ELEVATION

Notes and Revisions:

Location:
Mallette Theatre
Univ. of Southern Indiana
Directed by:
Zoie Hunter
Scenic Design By:
Jacelyn Stewart
Lighting Design By:
Blake Whitehouse
Technical Director:
Allen Karch
Drawn By: JAS
Date: 1/24/20
Scale: 1/2" = 1'-0"

Plate:
7
of 15
REVISION DATE:
1/24/21

THIS DRAWING REPRESENTS VISUAL CONCEPTS AND CONSTRUCTION SUGGESTIONS ONLY. THE DESIGNER IS UNQUALIFIED TO DETERMINE THE STRUCTURAL APPROPRIATENESS OF THE DESIGN & WILL NOT ASSUME RESPONSIBILITY FOR ANY ENGINEERING, CONSTRUCTION OR USE. ALL MATERIALS AND CONSTRUCTION MUST MEET THE MOST STRINGENT LOCAL SAFETY FIRE CODES.

The Wool Gatherer
by William Mastrosimone

Drawing:
WALL 3 ELEVATION

Notes and Revisions:

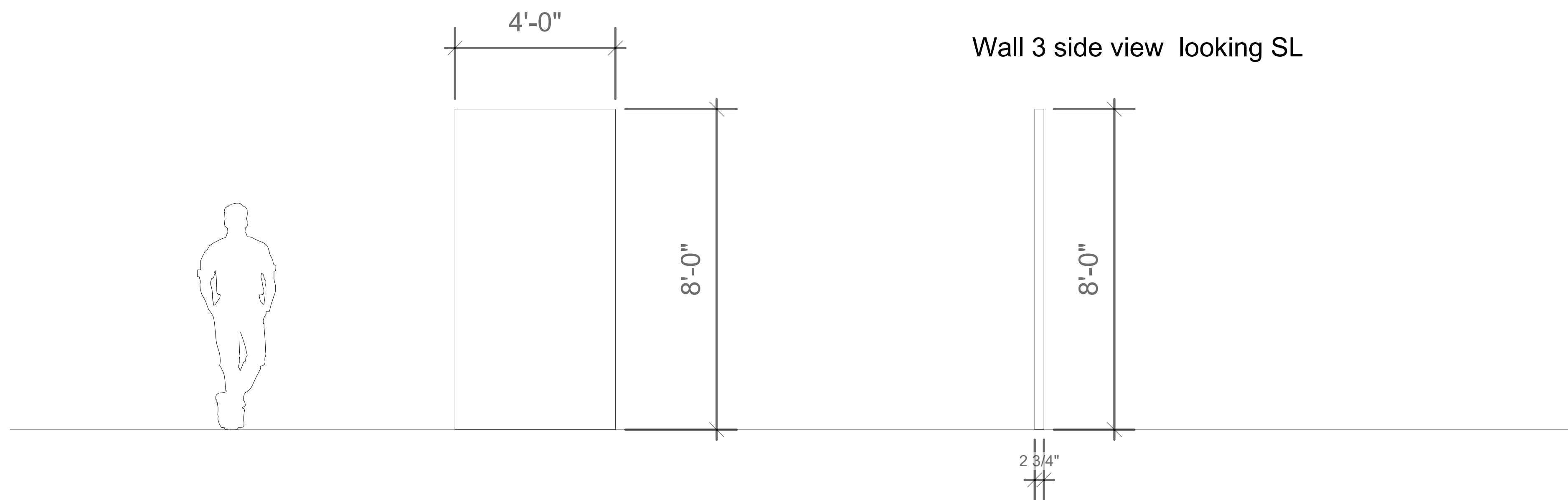
Location:
Mallette Theatre
Univ. of Southern Indiana
Directed by:
Zoie Hunter
Scenic Design By:
Jacelyn Stewart
Lighting Design By:
Blake Whitehouse
Technical Director:
Allen Karch
Drawn By: JAS
Date: 1/24/20
Scale: 1/2" = 1'-0"

Plate:
8

of 15
REVISION DATE:
1/24/21

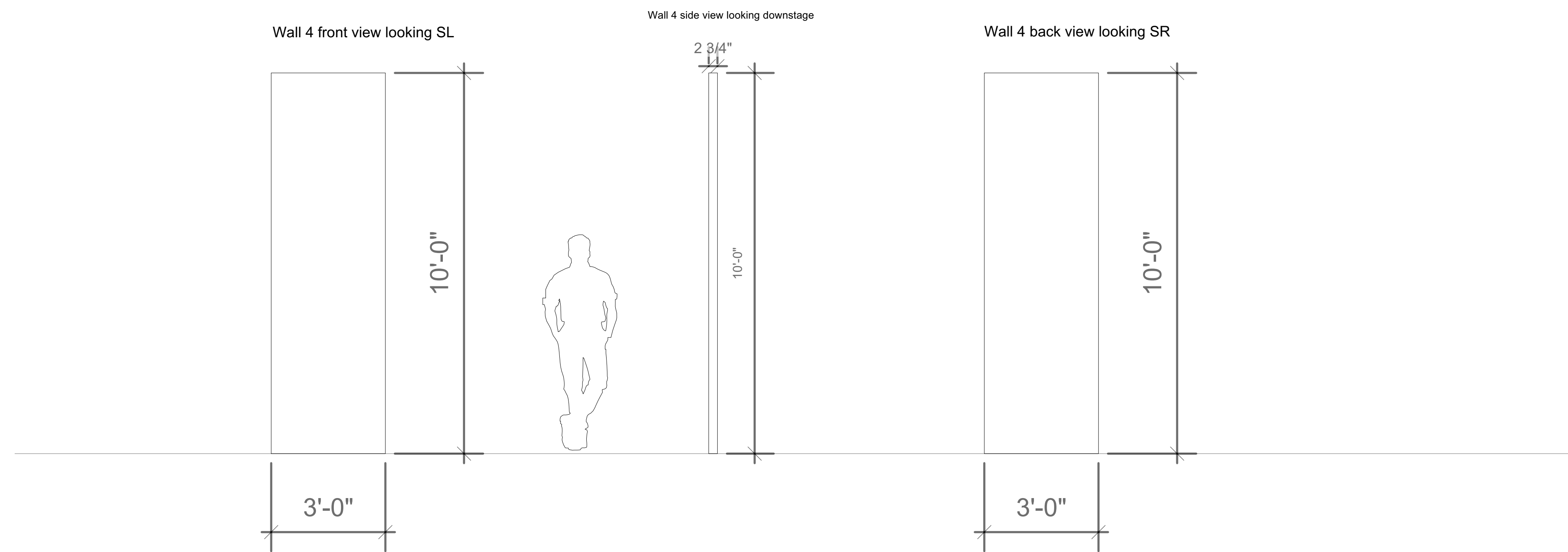
Wall 3 Front View looking downstage

Wall 3 side view looking SL



Wall 3
SET WALL

This wall needs facing on all 3 sides



Wall 4
SET WALL (Kitchenette)

THIS DRAWING REPRESENTS VISUAL CONCEPTS AND CONSTRUCTION SUGGESTIONS ONLY. THE DESIGNER IS UNQUALIFIED TO DETERMINE THE STRUCTURAL APPROPRIATENESS OF THE DESIGN & WILL NOT ASSUME RESPONSIBILITY FOR ANY OTHER ENGINEERING, CONSTRUCTION OR USE. ALL MATERIALS AND CONSTRUCTION MUST MEET THE MOST STRINGENT LOCAL SAFETY FIRE CODES.

The Wool Gatherer
by William Mastrosimone

Drawing:
WALL 4 ELEVATION

Notes and Revisions:

Location:
Mallette Theatre
Univ. of Southern Indiana

Directed by:
Zoie Hunter

Scenic Design By:
Jacelyn Stewart

Lighting Design By:
Blake Whitehouse

Technical Director:
Allen Karch

Drawn By: JAS

Date: 1/24/20

Scale: 1/2" = 1'-0"

Plate:

9

of 15

REVISION DATE:
1/24/21

THIS DRAWING REPRESENTS VISUAL CONCEPTS AND CONSTRUCTION SUGGESTIONS ONLY. THE DESIGNER IS UNQUALIFIED TO DETERMINE THE STRUCTURAL APPROPRIATENESS OF THE DESIGN & WILL NOT ASSUME RESPONSIBILITY FOR ANY HIGH-ENGINEERING, CONSTRUCTION OR USE. ALL MATERIALS AND CONSTRUCTION MUST MEET THE MOST STRINGENT LOCAL SAFETY FIRE CODES.

The Wool Gatherer
by William Mastrosimone

Drawing:
WALL 5 ELEVATION

Notes and Revisions:

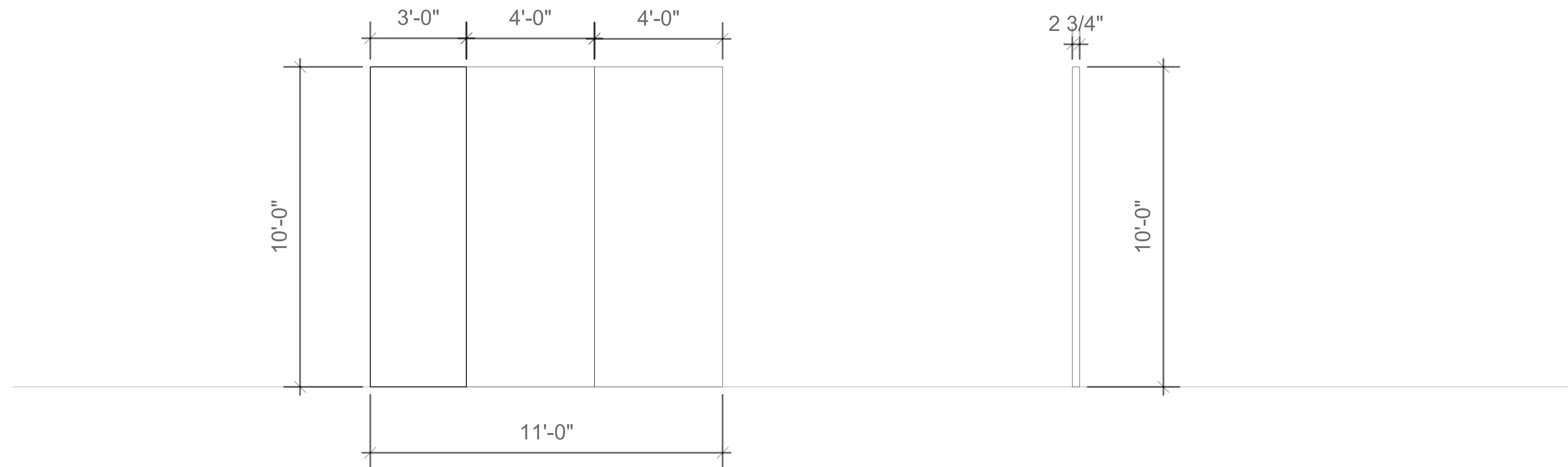
Location:
Mallette Theatre
Univ. of Southern Indiana
Directed by:
Zoie Hunter
Scenic Design By:
Jacelyn Stewart
Lighting Design By:
Blake Whitehouse
Technical Director:
Allen Karch
Drawn By: JAS
Date: 1/24/20
Scale: 1/2" = 1'-0"

Plate:
10
of 15

REVISION DATE:
1/24/21

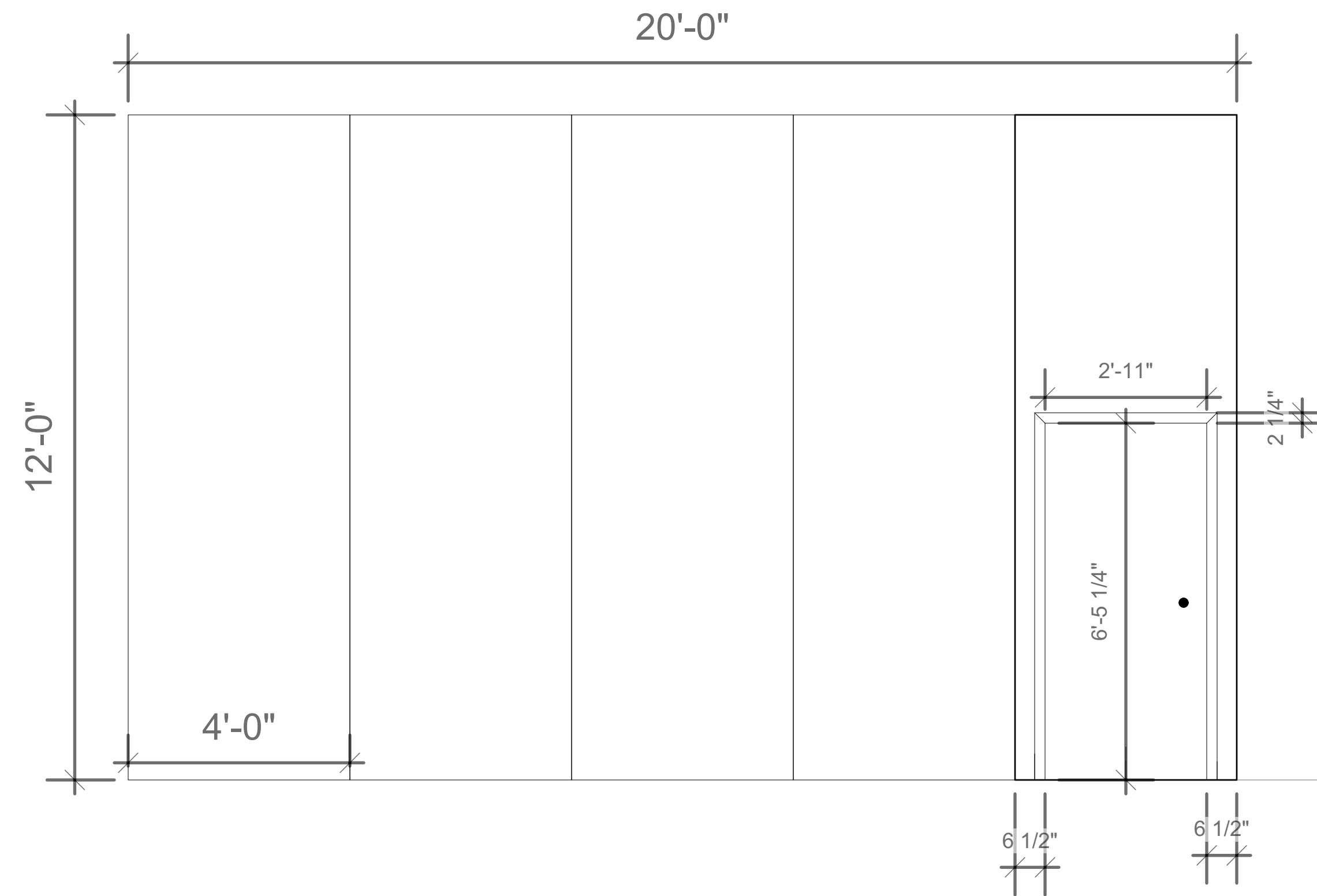
Wall 5 front view looking downstage

Wall 5 side view looking SR

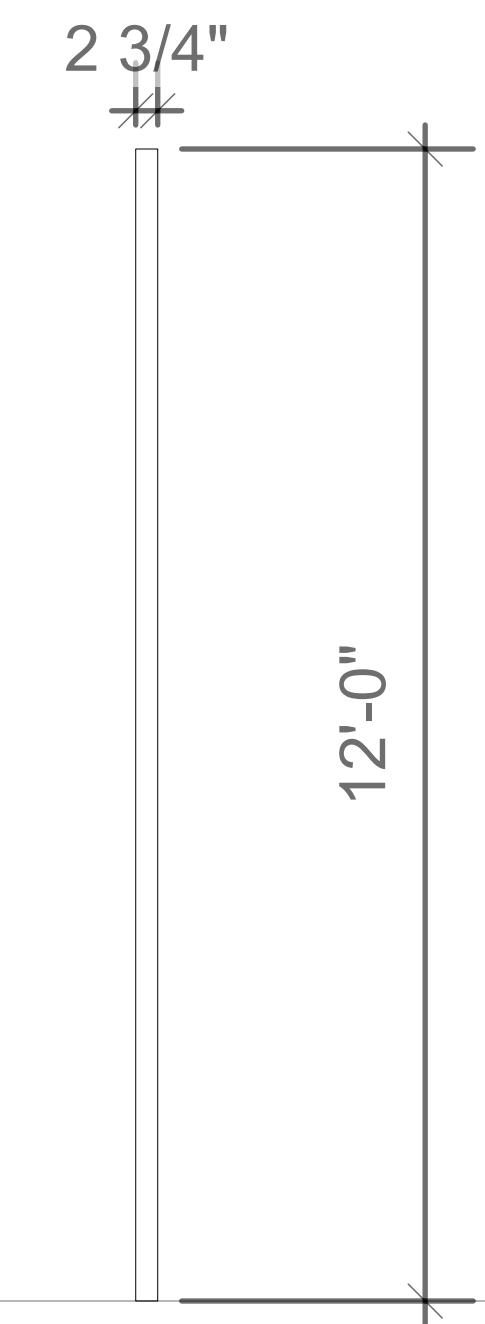


Wall 5
SET WALL

Wall 6 front view looking SR



Wall 6 side profile looking upstage



Wall 6
SET WALL

THIS DRAWING REPRESENTS VISUAL CONCEPTS AND CONSTRUCTION SUGGESTIONS ONLY. THE DESIGNER IS UNQUALIFIED TO DETERMINE THE STRUCTURAL APPROPRIATENESS OF THE DESIGN & WILL NOT ASSUME RESPONSIBILITY FOR IMPROPER ENGINEERING, CONSTRUCTION OR USE. ALL MATERIALS AND CONSTRUCTION MUST MEET THE MOST STRINGENT LOCAL SAFETY FIRE CODES.

The Wool Gatherer
by William Mastrosimone

Drawing:
WALL 6 ELEVATION

Notes and Revisions:

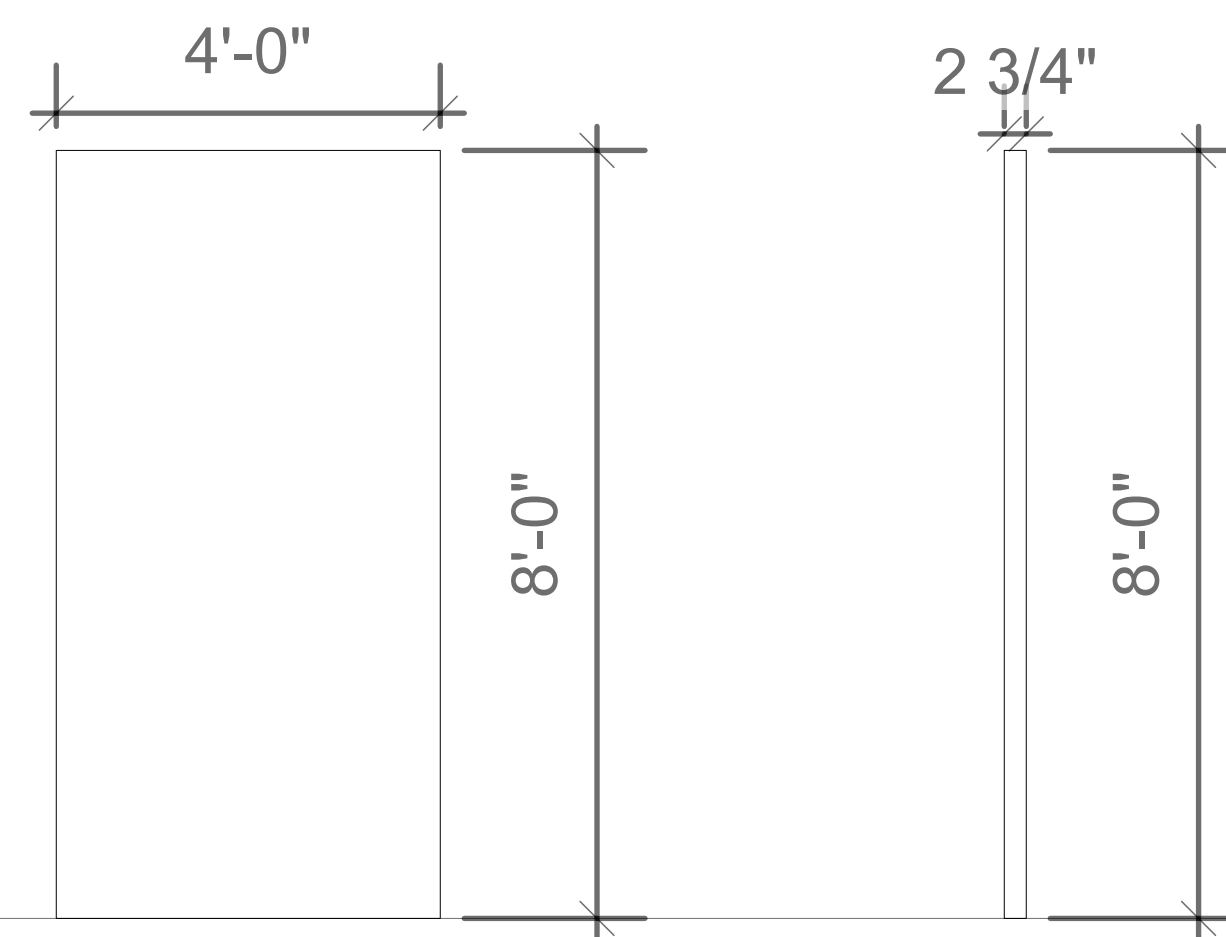
Location:
Mallette Theatre
Univ. of Southern Indiana
Directed by:
Zoie Hunter
Scenic Design By:
Jacelyn Stewart
Lighting Design By:
Blake Whitehouse
Technical Director:
Allen Karch
Drawn By: JAS
Date: 1/24/20
Scale: 1/2" = 1'-0"

Plate:
11
of 15

REVISION DATE:
1/24/21

Hallway

Wall 7 front view looking upstage



Wall 7 side profile looking SL

Wall 7
SET WALL

THIS DRAWING REPRESENTS VISUAL CONCEPTS AND CONSTRUCTION SUGGESTIONS ONLY. THE DESIGNER IS UNQUALIFIED TO DETERMINE THE STRUCTURAL APPROPRIATENESS OF THE DESIGN & WILL NOT ASSUME RESPONSIBILITY FOR ANY ENGINEERING, CONSTRUCTION OR USE. ALL MATERIALS AND CONSTRUCTION MUST MEET THE MOST STRINGENT LOCAL SAFETY FIRE CODES.

The Wool Gatherer
by William Mastrosimone

Drawing:
WALL 7 ELEVATION

Notes and Revisions:

Location:
Mallette Theatre
Univ. of Southern Indiana

Directed by:
Zoie Hunter

Scenic Design By:
Jacelyn Stewart

Lighting Design By:
Blake Whitehouse

Technical Director:
Allen Karch

Drawn By: JAS

Date: 1/24/20

Scale: 1/2" = 1'-0"

Plate:

12

of 15

REVISION DATE:
1/24/21

THIS DRAWING REPRESENTS VISUAL CONCEPTS AND CONSTRUCTION SUGGESTIONS ONLY. THE DESIGNER IS UNQUALIFIED TO DETERMINE THE STRUCTURAL APPROPRIATENESS OF THE DESIGN & WILL NOT ASSUME RESPONSIBILITY FOR IMPROPER ENGINEERING, CONSTRUCTION OR USE. ALL MATERIALS AND CONSTRUCTION MUST MEET THE MOST STRINGENT LOCAL SAFETY FIRE CODES.

Wall 8 front view looking SR

Wall 8 side profil looking upstage



Wall 8
SET WALL

The Wool Gatherer
by William Mastrosimone

Drawing:
WALL 8 ELEVATION

Notes and Revisions:

Location:
Mallette Theatre
Univ. of Southern Indiana

Directed by:
Zoie Hunter

Scenic Design By:
Jacelyn Stewart

Lighting Design By:
Blake Whitehouse

Technical Director:
Allen Karch

Drawn By: JAS

Date: 1/24/20

Scale: 1/2" = 1'-0"

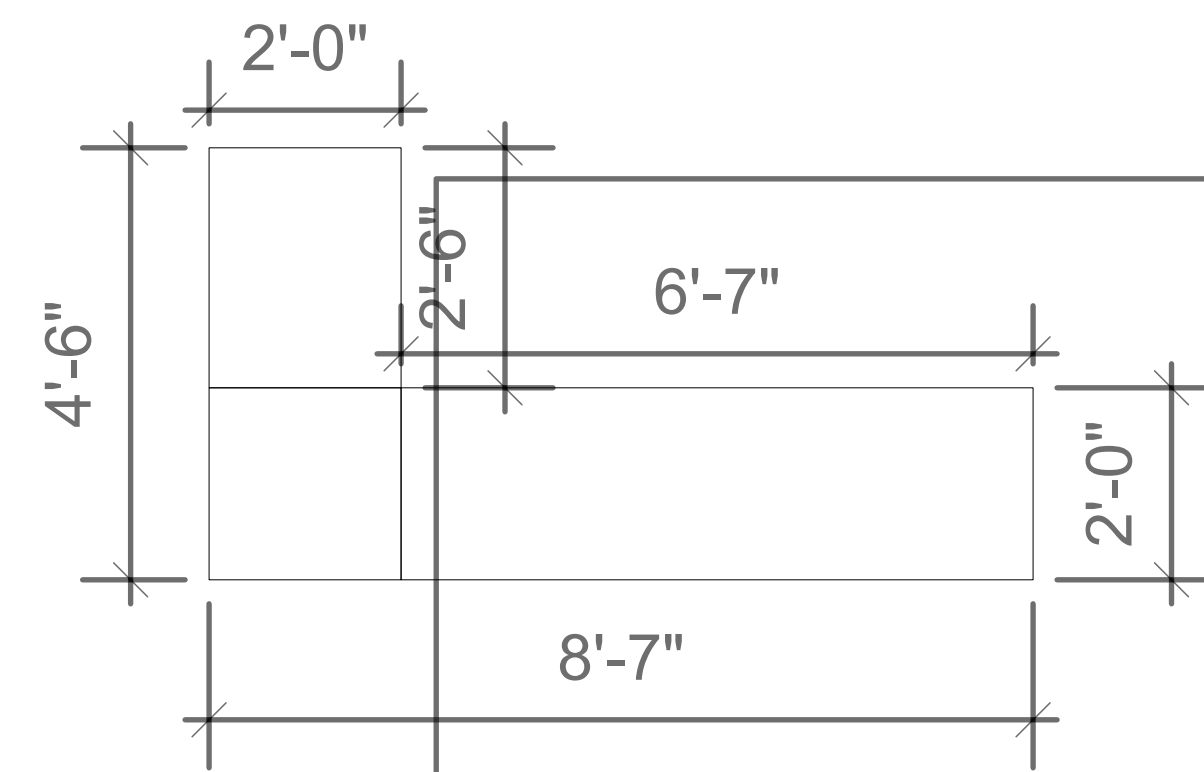
Plate:

13

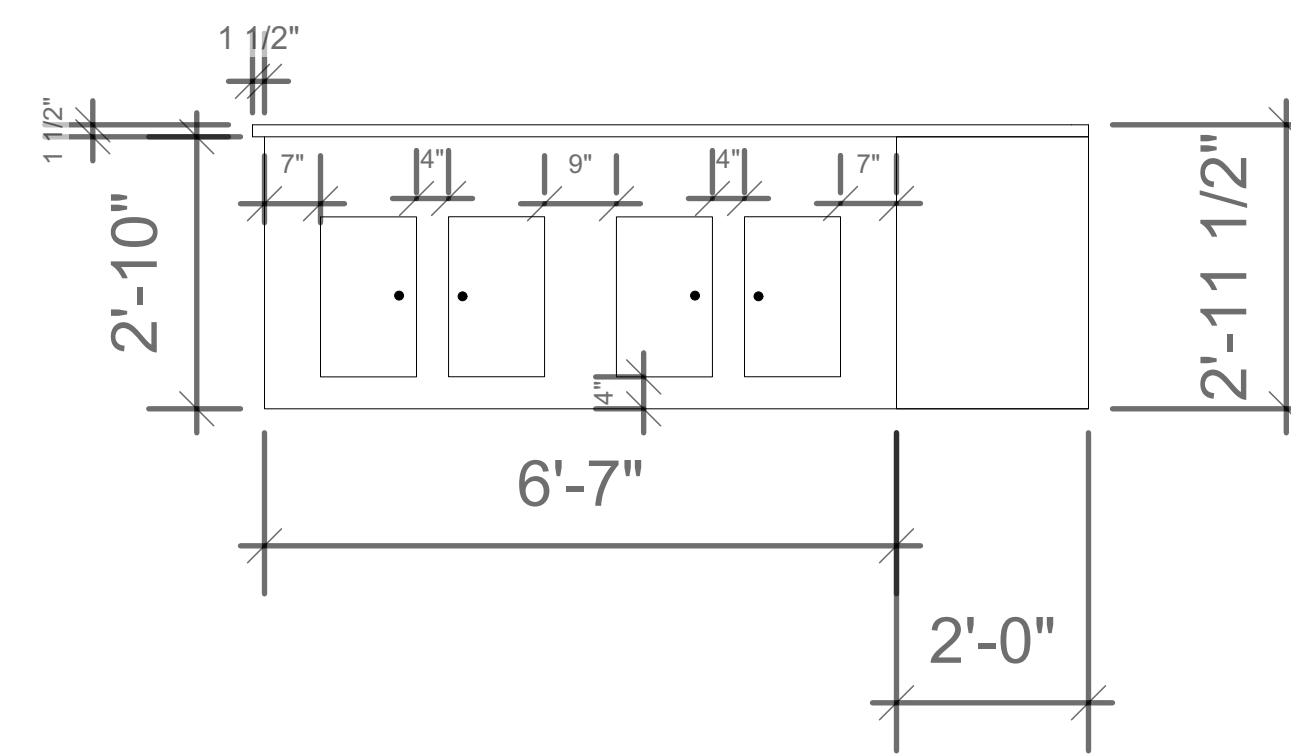
of 15

REVISION DATE:
1/24/21

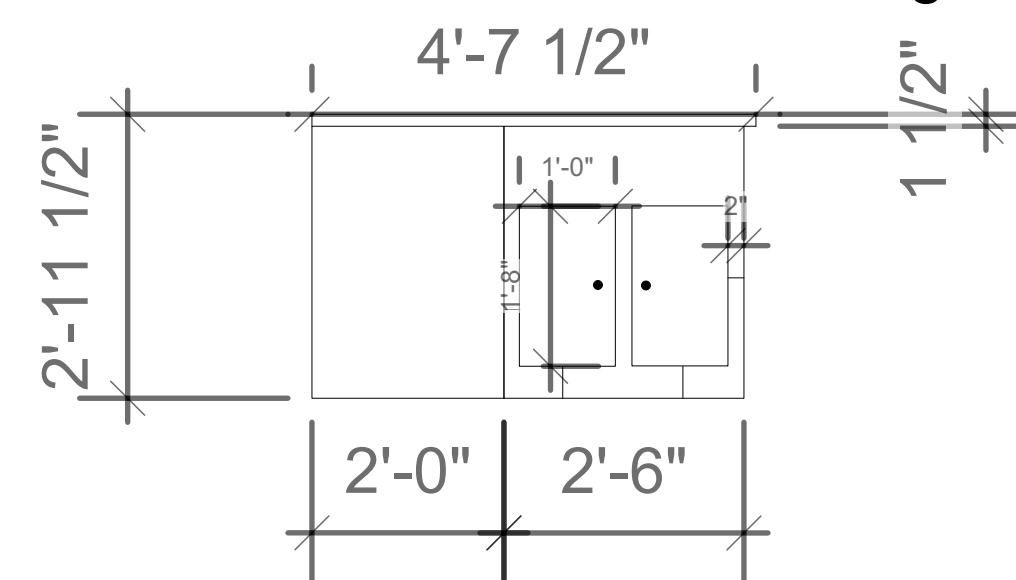
Counter Above View



Counter front view looking downstage



Counter side view looking SR



COUNTER BUILD

THIS DRAWING REPRESENTS VISUAL CONCEPTS AND CONSTRUCTION SUGGESTIONS ONLY. THE DESIGNER IS UNQUALIFIED TO DETERMINE THE STRUCTURAL APPROPRIATENESS OF THE DESIGN & WILL NOT ASSUME RESPONSIBILITY FOR IMPROPER ENGINEERING, CONSTRUCTION OR USE. ALL MATERIALS AND CONSTRUCTION MUST MEET THE MOST STRINGENT LOCAL SAFETY FIRE CODES.

The Wool Gatherer
by William Mastrosimone

Drawing:
COUNTER BUILD

Notes and Revisions:

Location:
Mallette Theatre
Univ. of Southern Indiana

Directed by:
Zoie Hunter

Scenic Design By:
Jacelyn Stewart

Lighting Design By:
Blake Whitehouse

Technical Director:
Allen Karch

Drawn By: JAS

Date: 1/24/20

Scale: 1/2" = 1'-0"

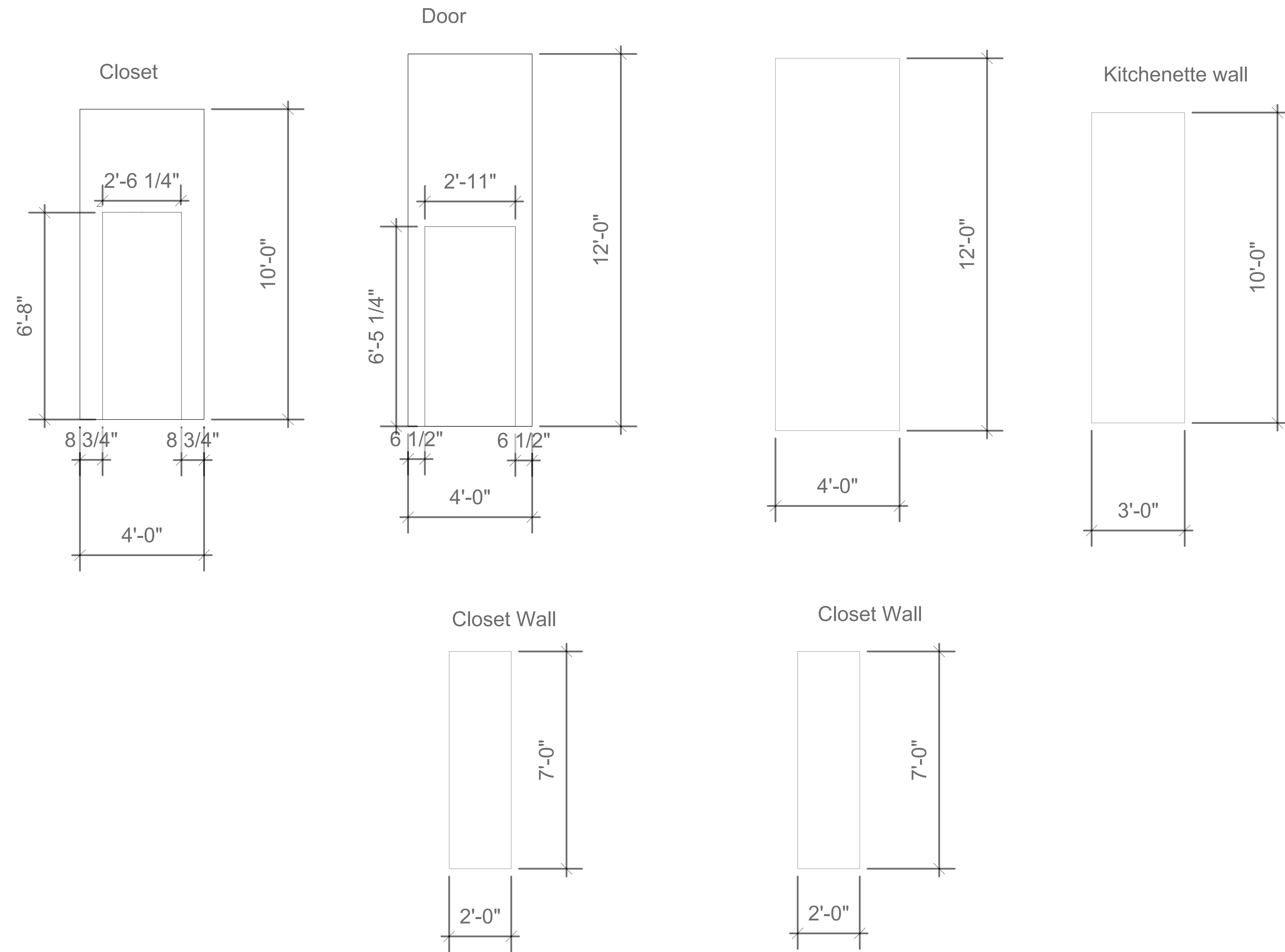
Plate:

14

of 15

REVISION DATE:
1/24/21

New Flats



THIS DRAWING REPRESENTS VISUAL CONCEPTS AND CONSTRUCTION SUGGESTIONS ONLY. THE DESIGNER IS UNQUALIFIED TO DETERMINE THE STRUCTURAL APPROPRIATENESS OF THE DESIGN & WILL NOT ASSUME RESPONSIBILITY FOR IMPROPER ENGINEERING, CONSTRUCTION OR USE. ALL MATERIALS AND CONSTRUCTION MUST MEET THE MOST STRINGENT LOCAL SAFETY FIRE CODES.

The Wool Gatherer
by William Mastrosimone

Drawing:
NEW FLATS

Notes and Revisions:

Location:
Mallette Theatre
Univ. of Southern Indiana
Directed by:
Zoie Hunter
Scenic Design By:
Jacelyn Stewart
Lighting Design By:
Blake Whitehouse
Technical Director:
Allen Karch
Drawn By: JAS
Date: 1/24/20
Scale: 1/2" = 1'-0"

Plate:
15
of 15
REVISION DATE:
1/24/21